

# 38493-TE

## AC Current Sensor 10/20/50A 4-20mA Output

Non contact, flange mount current Sensor for AC Loads.

**Sense Range:** Jumper Selectable: 0-10/20/50AAC (RMS)

**Frequency:** 50/60Hz

**Output:** 4-20mA DC Current Loop

**Loop Power:** 24VDC

**Overload Amp:** 200%

Isolation: 2000V

Hysteresis: <1%

Response Time: <200mS

Accuracy:  $\pm 1\%$

Burden: <1W

Operating Temp:  $-20^{\circ}$  to  $+60^{\circ}$ C

Sensor Hole Dia: 20mm (~3/4")

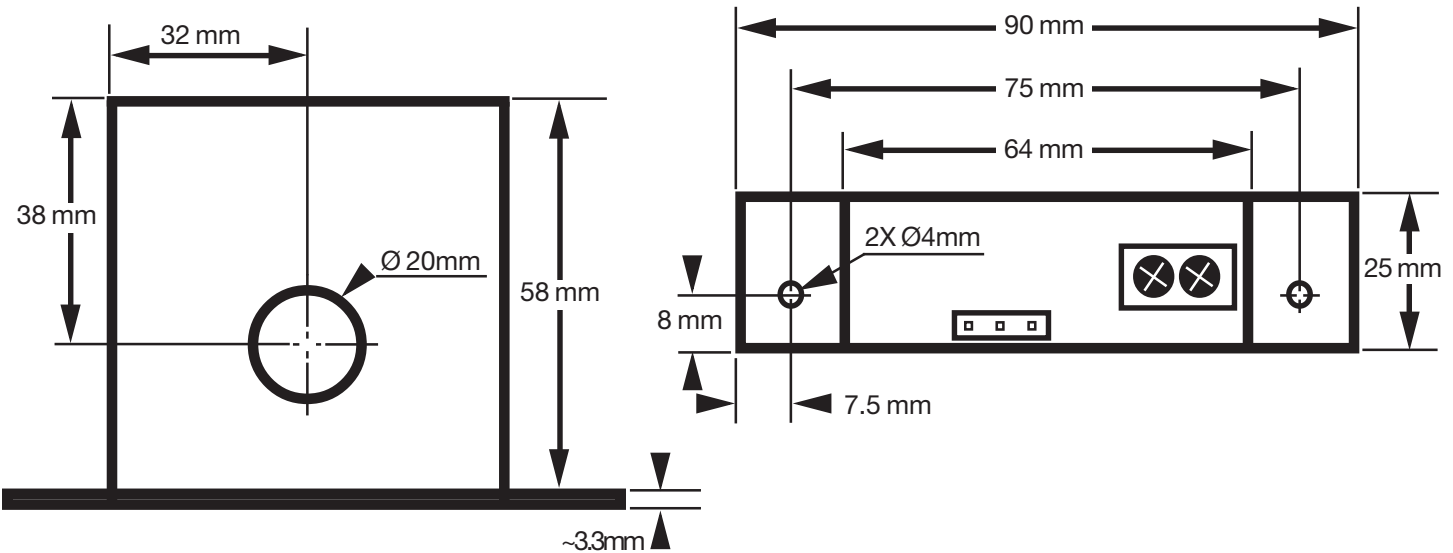
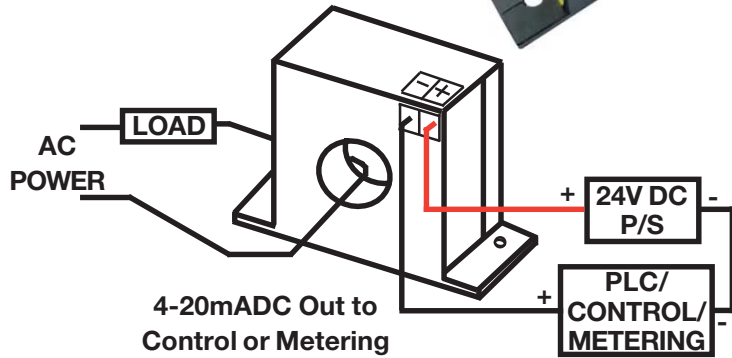
Input: Thru Hole

Output: Terminal strip

c/UL/us/CE/RoHS

**W:** 90mm (3-1/2") O/A **T:** 25mm (1")

**H:** 61mm (2-3/8") **WT:** .2



Information including Drawings, Schematics, Links and Code (Software) Supplied or Referenced in this Document is supplied by MPJA inc. as a service to our customers and accuracy or usefulness is not guaranteed nor is it an Endorsement of any particular part, supplier or manufacturer. Use of information and suitability for any application is at users own discretion and user assumes all risk.

Information Subject to Change Without Notice

All rights are retained by the respective Owners/Author(s)



**MARLIN P. JONES & ASSOC., INC.**

8380 Resource Rd. West Palm Beach, FL 33404

800-652-6733 FAX 561-844-8764

WWW.MPJA.COM